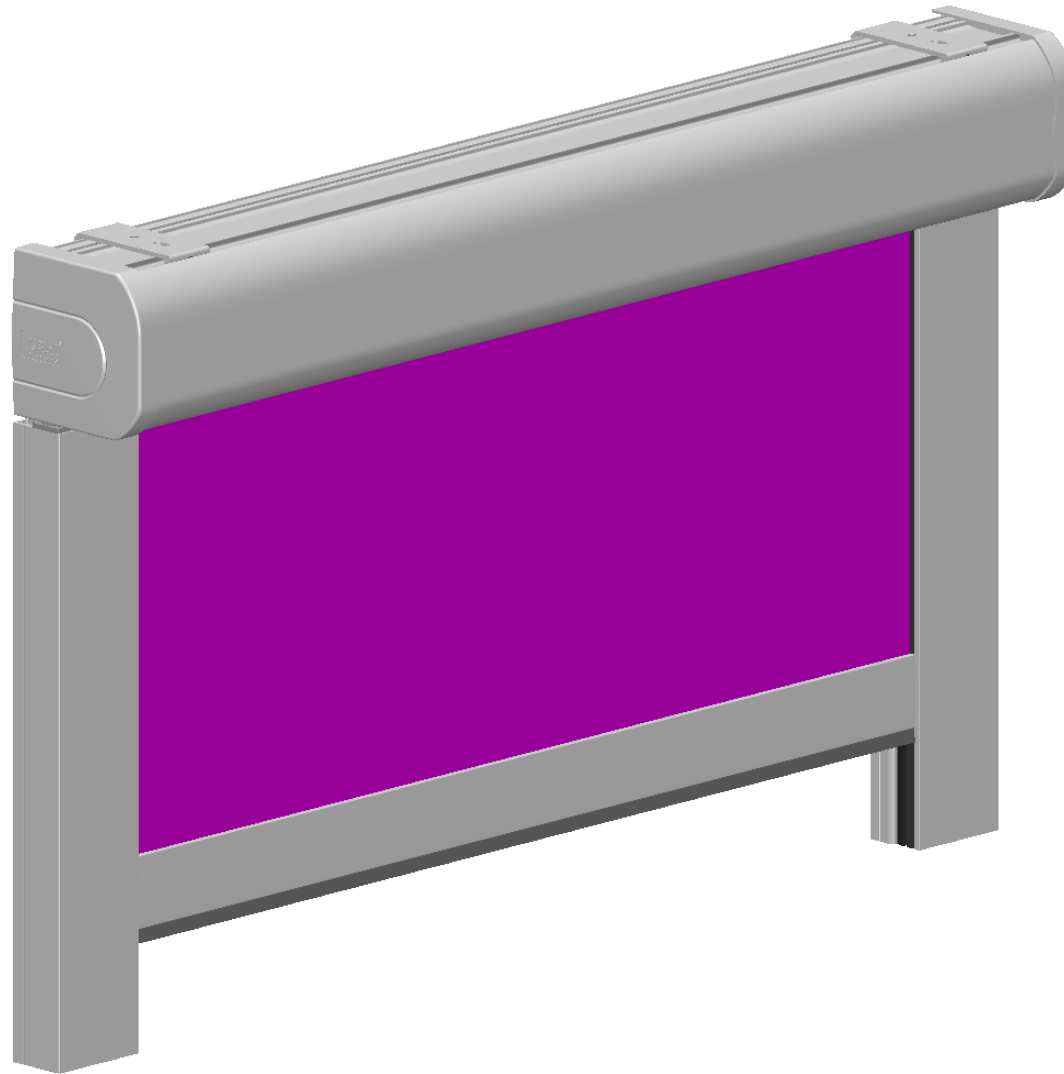
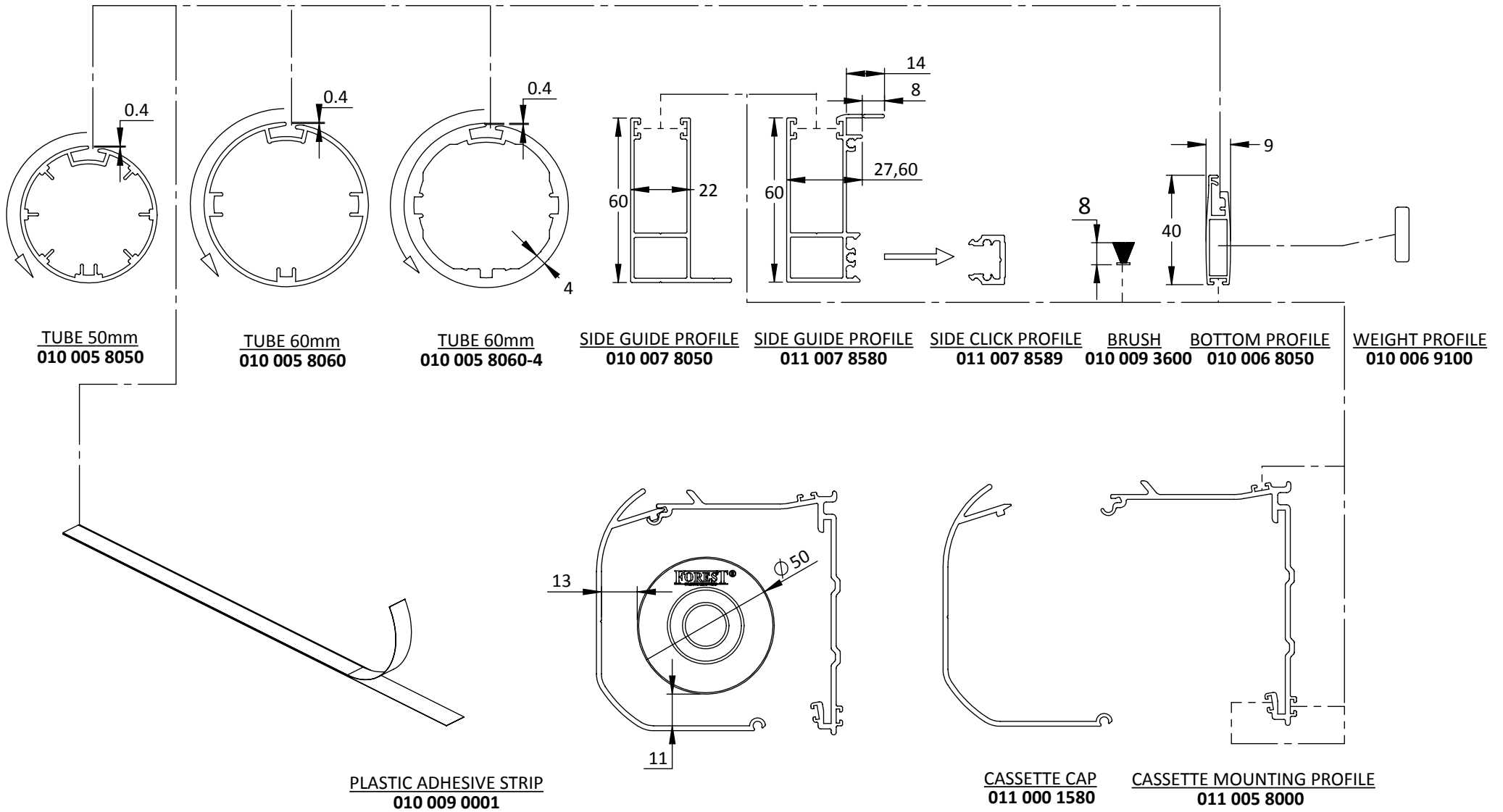


ATLANTIS ROLLER BLIND CLOSED CASSETTE-SYSTEM

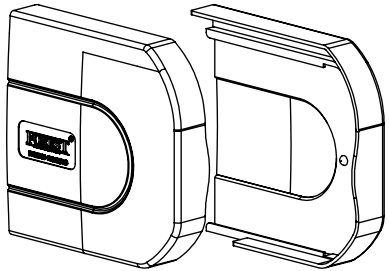
PROFILE, PART INFORMATION AND SPECIFICATION



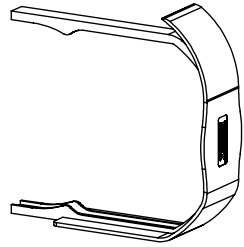
PROFILE-INFORMATION CLOSED CASSETTE



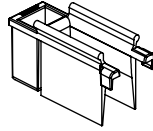
PART-INFORMATION CLOSED CASSETTE



BRACKET ENDCAP CASSETTE SET L&R
011 005 5100



MIDDLE BRACKET COVER CASSETTE
011 005 1001



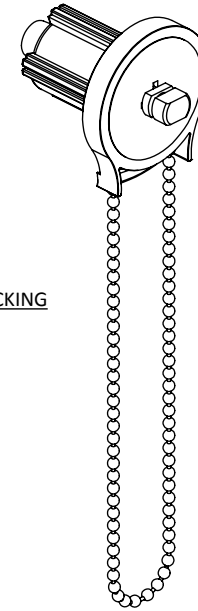
ENDCAP GUIDE PROFILE
010 007 1000



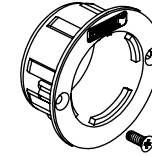
ENDCAP BOTTOM PROFILE
010 006 1000



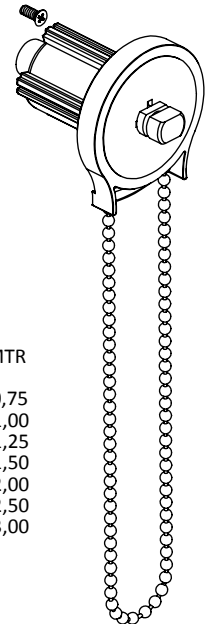
BOTTOM WEIGHT BLOCKING
010 007 1001



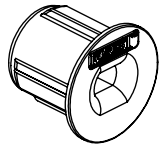
CHAIN CONTROL 50mm
010 600 1012



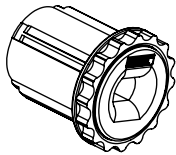
METAL CHAIN
367 000 3100 ROL 150 MTR
367 000 7150 ENDLESS 0,75
367 000 7200 1,00
367 000 7250 1,25
367 000 7300 1,50
367 000 7350 2,00
367 000 7400 2,50
367 000 7450 3,00



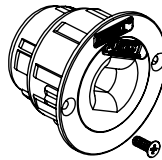
CHAIN CONTROL 60mm
010 600 1013



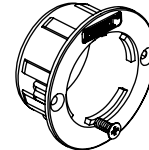
CONNECTOR IDLER 50mm
010 005 8052



ADJUSTABLE IDLER 50mm
010 005 8053



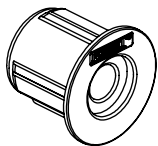
CONNECTOR IDLER 60mm
010 005 8062



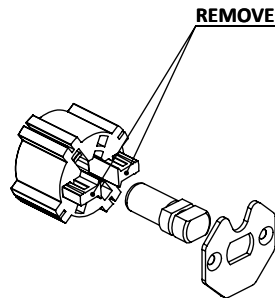
ADJUSTABLE IDLER 60mm
010 005 8064



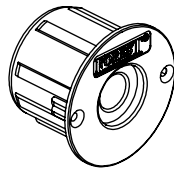
CROWN SOMFY SONESSE
010 005 8056



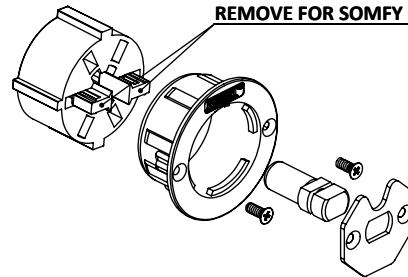
IDLER 50mm
010 005 8051



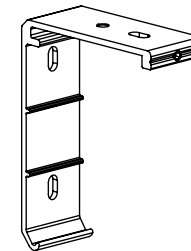
MOTOR ADAPTOR 50mm
010 005 8055-S



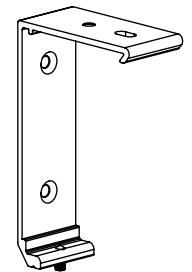
IDLER 60mm
010 005 8061



MOTOR ADAPTOR 60mm
010 005 8065



BRACKET CASSETTE / WALL & CEILING
011 163 0000



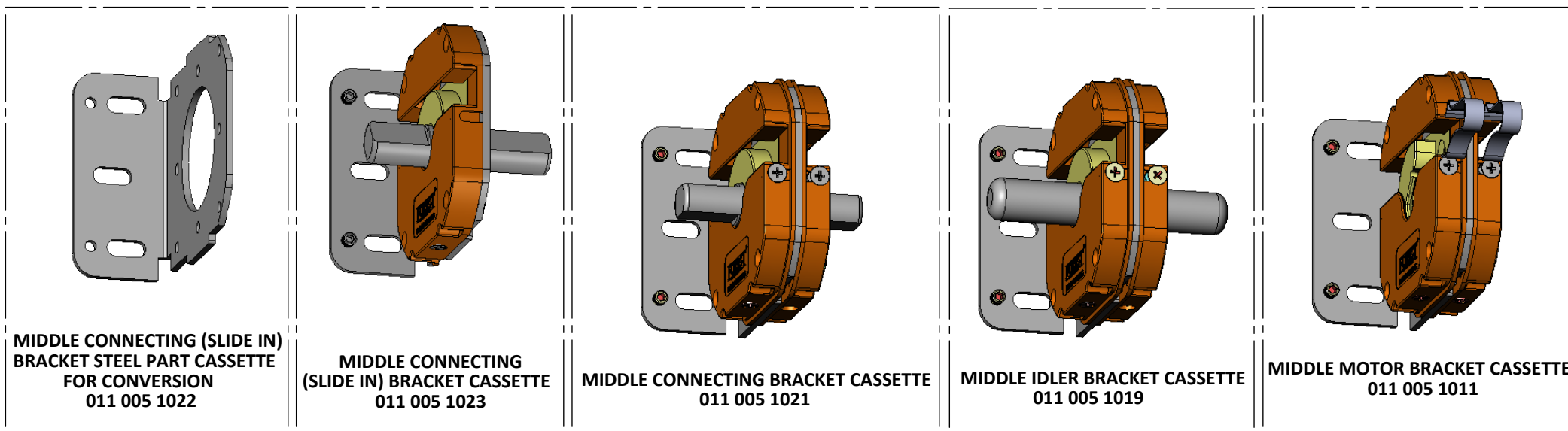
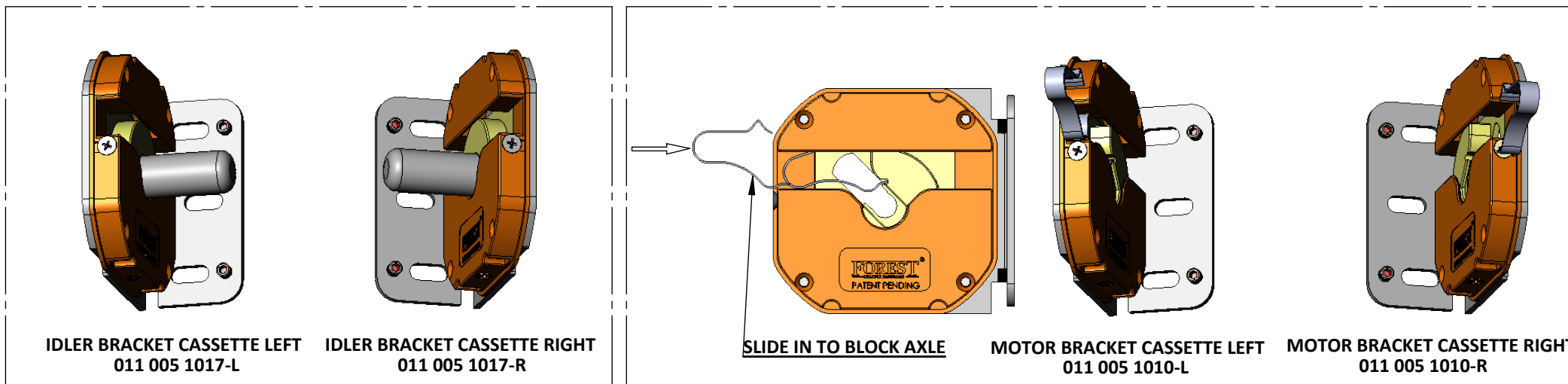
BRACKET CASSETTE / WALL & CEILING & SMALL CEILING RECESS 10 X 10 cm
011 005 1030

REMOVE FOR SOMFY SONESSE

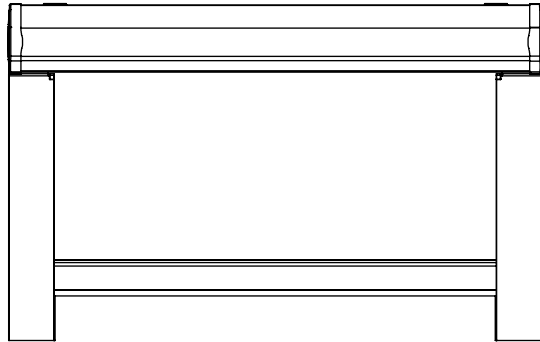
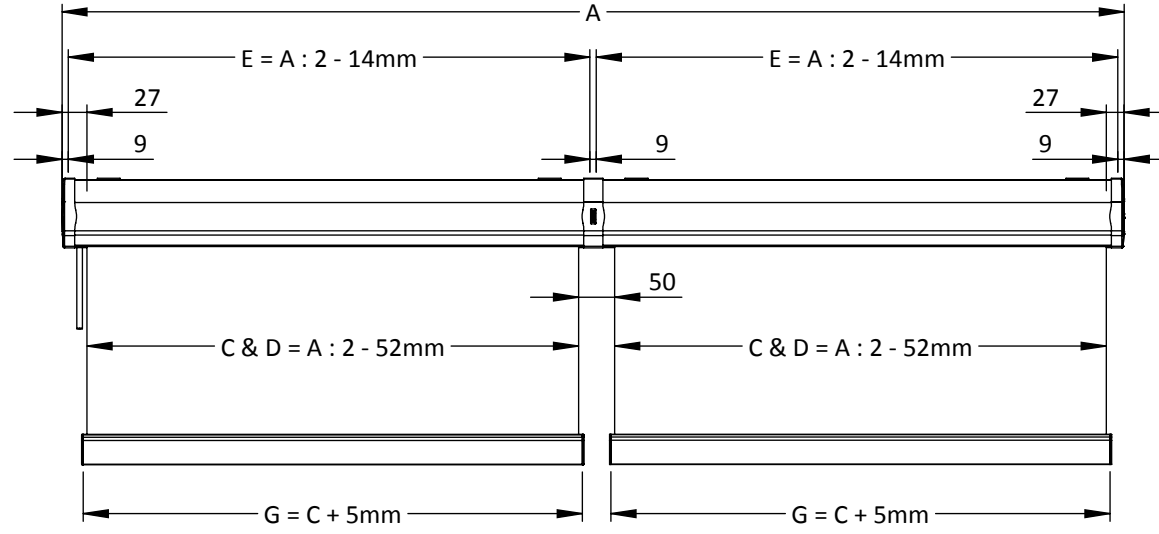
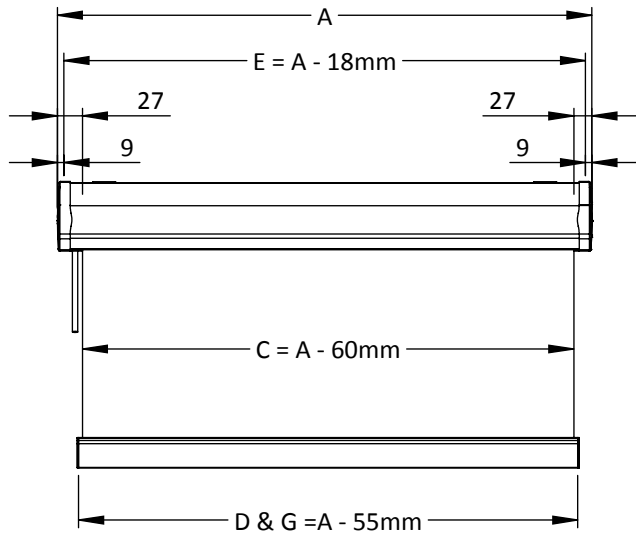
REMOVE FOR SOMFY SONESSE

BRACKET-INFORMATION CLOSED CASSETTE STANDARD DELIVERY

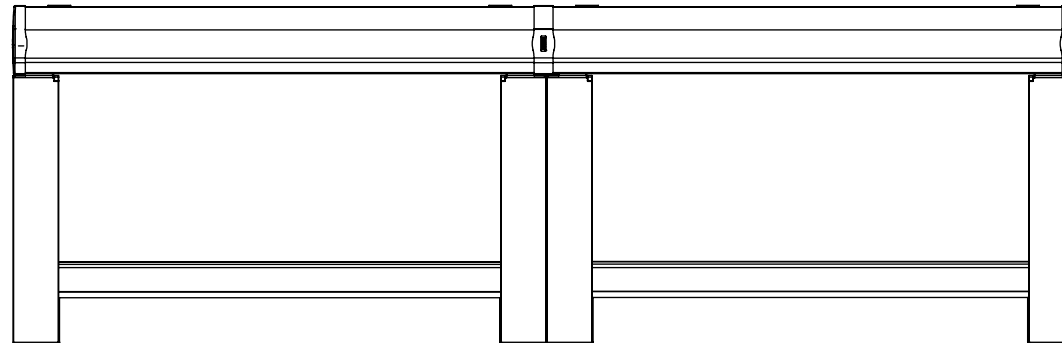
BRACKETS CAN BE CHANGED INTO ANY POSITION: SEEN PAGE 4 & 5 OPEN SYSTEM



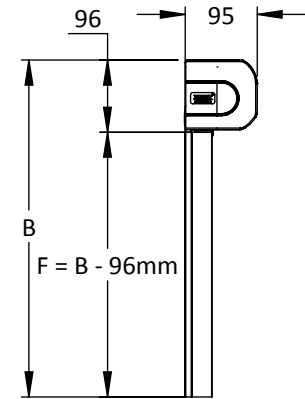
HOW TO MEASURE CLOSED CASSETTE (MOTORISED & CHAIN-CONTROL)



Closed cassette darkening with Side Guide
Dimensions same as above

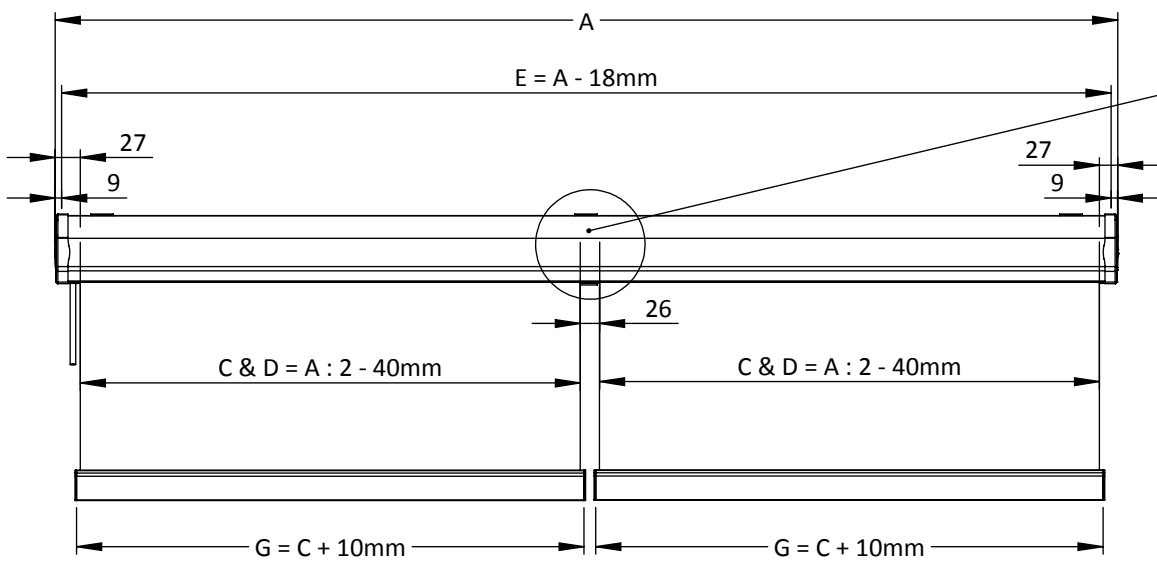


Closed cassette darkening with Side Guide
Dimensions same as above



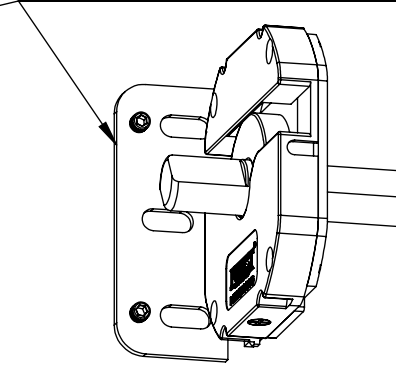
- A: SYSTEM WIDTH - WINDOW REVEAL (ALWAYS WITH THE 2 CAPS)
- B: SYSTEM DROP - WINDOW REVEAL
- C: FABRIC WIDTH
- D: TUBE WIDTH (EXCLUSIVELY IDLER / MOTOR + CROWN or CHAIN CONTROL)
- E: CASSETTE - CAP & MOUNTING PROFILE
- F: SIDE GUIDE - PROFILE (DARKENING)
- G: BOTTOM - PROFILE

HOW TO MEASURE CLOSED CASSETTE (MOTORISED & CHAIN-CONTROL) SYSTEM FROM ONE PIECE (COVERCAP & MOUNTING PROFILE) WITH USING A SLIDE-IN MIDDLE BRACKET

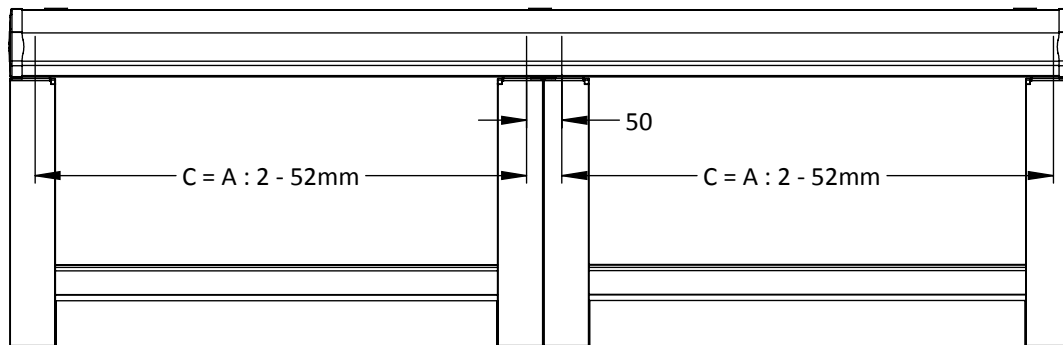


Closed cassette without Side Guide

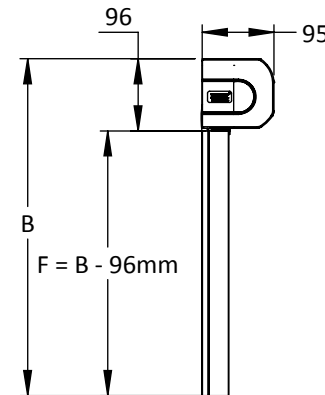
**Slide-in Middle Connecting Bracket
011 005 1023**



- A: SYSTEM WIDTH - WINDOW REVEAL (ALWAYS WITH THE 2 CAPS)**
- B: SYSTEM DROP - WINDOW REVEAL**
- C: FABRIC WIDTH**
- D: TUBE WIDTH (EXCLUSIVELY IDLER / MOTOR + CROWN or CHAIN CONTROL)**
- E: CASSETTE - CAP & MOUNTING PROFILE**
- F: SIDE GUIDE - PROFILE (DARKENING)**
- G: BOTTOM - PROFILE**

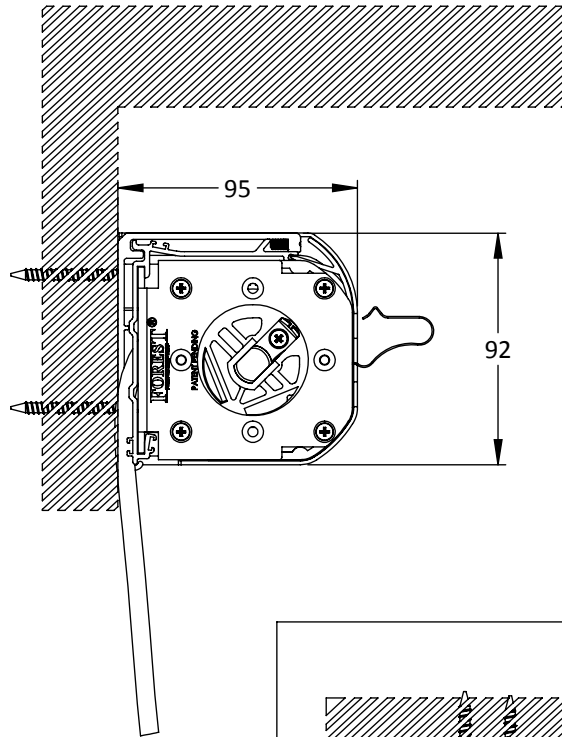


**Closed cassette darkening with Side Guide
Dimensions same as above except the fabric**

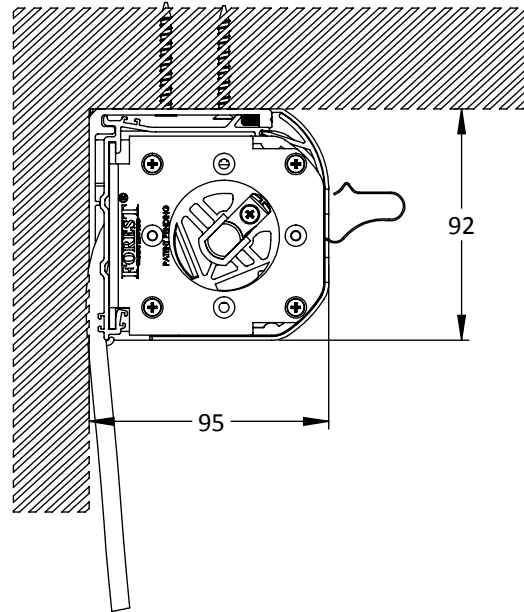


FITTING OPTIONS

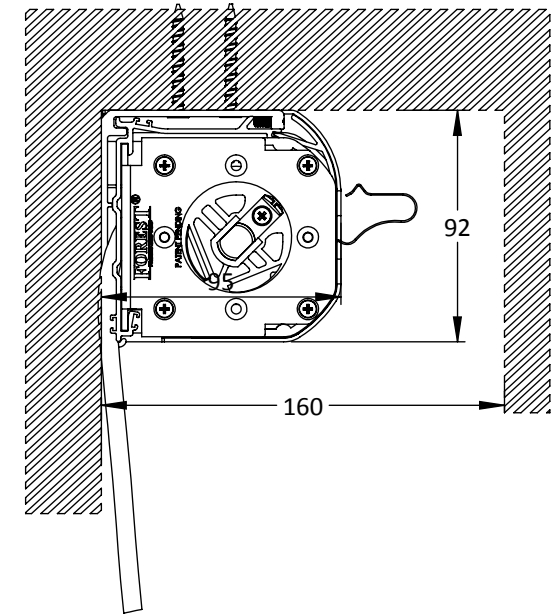
WALL FITTING



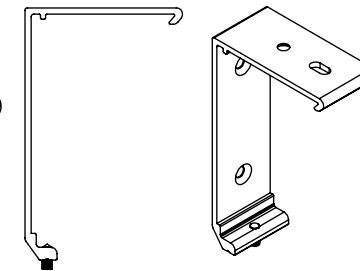
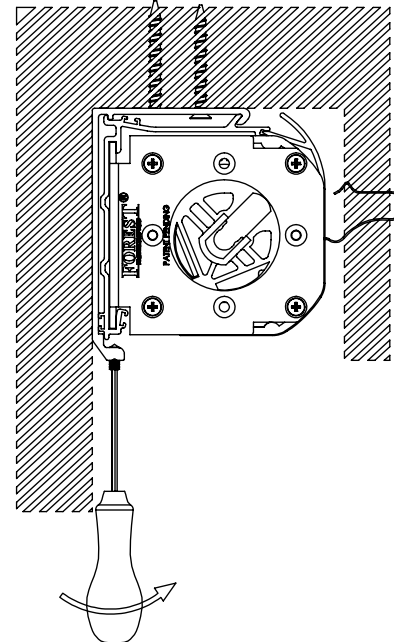
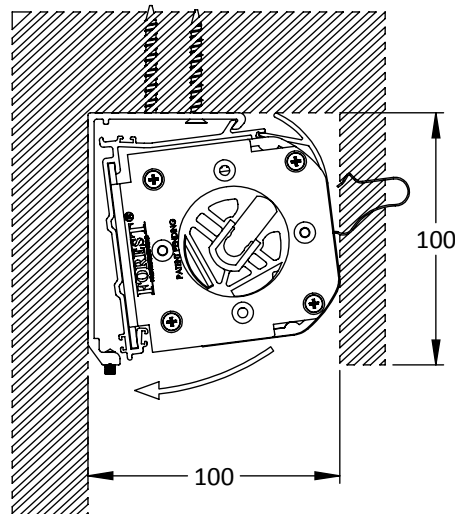
CEILING FITTING



RECESS FITTING

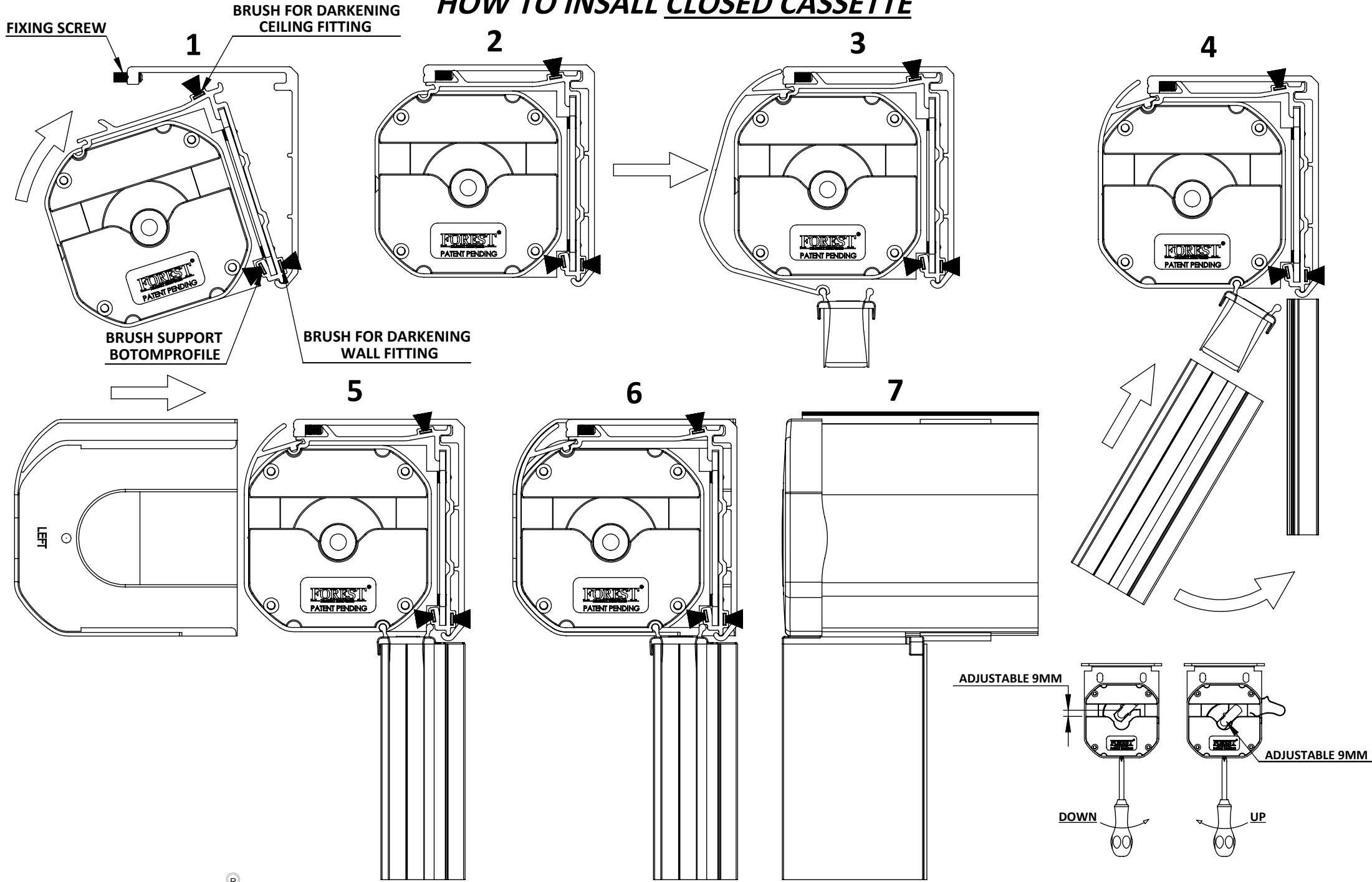


RECESS FITTING 10 X 10cm



COVE BRACKET
011 005 1023

HOW TO INSALL CLOSED CASSETTE

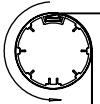


OPERATION : CHAIN OR MOTORISED CLOSED CASSETTE-SYSTEM

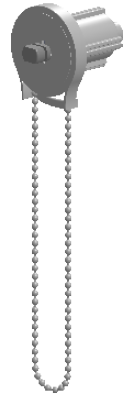
MOTORISATION - STANDARD - OR - WITH INTERNAL RF RECEIVER AND ELECTRONIC LIMIT SETTING

ROLL UP DIRECTION

HEIGHT DIFFERENCE 0,40mm

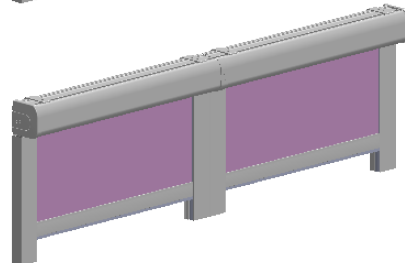
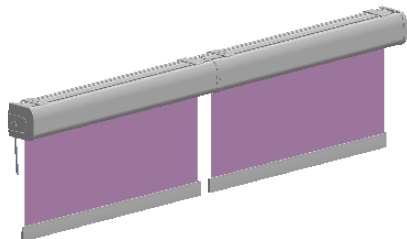
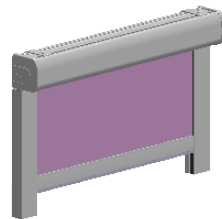
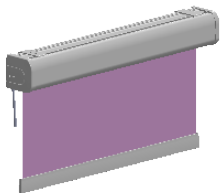


CHAIN CONTROL 1:2



MOTOR CODE	Nm	RPM	VOLT	INT.REC	KG / TUBE 50	KG / TUBE 60	MIN WIDTH BLIND	MAX WIDTH TUBE 50	MAX WIDTH TUBE 60
341 660 0012	6	28	230		15	12	57 cm	250 cm	300 cm
341 660 0016	13	14	230		20	17	57 cm		
341 660 0110	3	28	230	•	7	5	67 cm		
341 660 0112	6	28	230	•	15	12	67 cm		
341 660 0116	13	14	230	•	20	17	67 cm		
341 660 0013	6	33	115		15	12	57 cm		
341 660 0014	13	15	115		20	17	57 cm		
Q-341 660 0017	6	20	230		15	12	57 cm		
Q-341 660 0117	6	20	230	•	15	12	67 cm		

ROLLER BLIND - SYSTEM INFORMATION for TUBE 50 & 60 mm

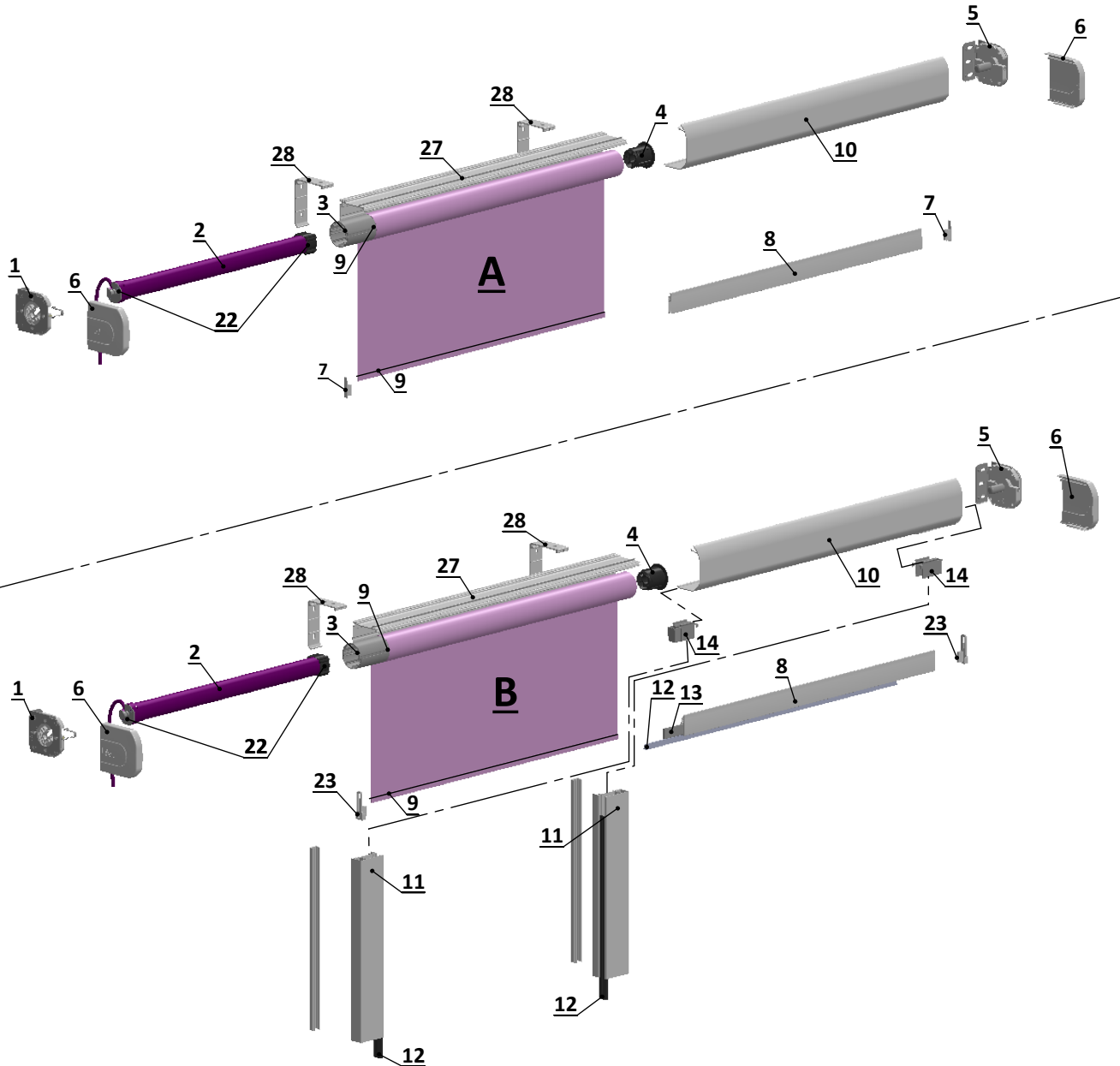


FABRIC 0,3 mm	MAX. HEIGHT	MAX. M ²
TUBE 50	550 cm	20
TUBE 60	400 cm	20
CONNECTED BLINDS	MAX	
TUBE 50	20 M ² / WIDTH 450 CM	
TUBE 60	20 M ² / WIDTH 450 CM	

CLOSED CASSETTE SINGLE FOR TUBE 50 & 60mm

System **A**: Single without side guide profile

System **B**: Single with side guide profile (darkening)

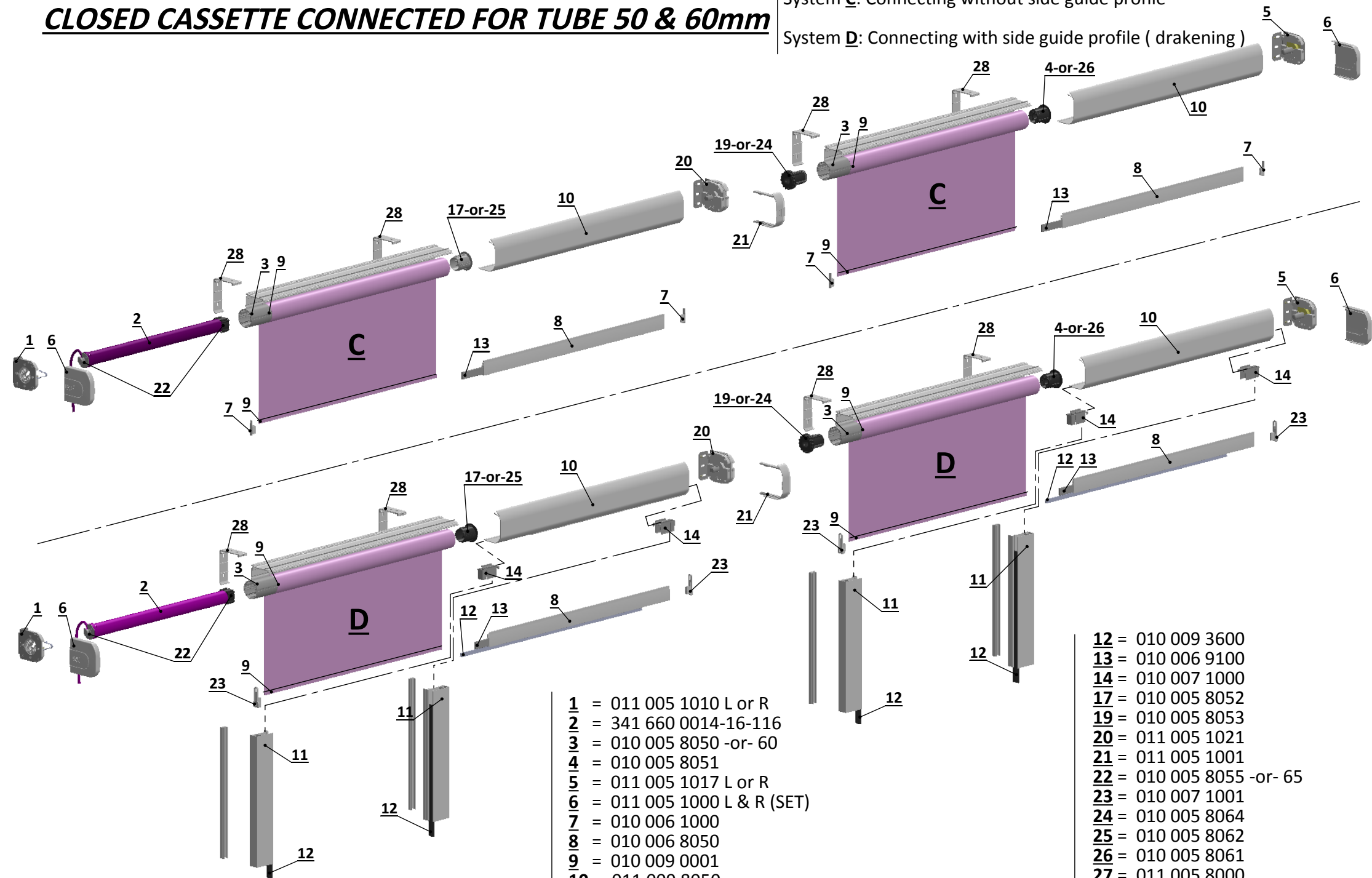


- 1** = 011 005 1010 L or R
- 2** = 341 660 0012 - 13 - 14 - 16-17 - 110 - 112 - 116 -117
- 3** = 010 005 8050 -or- 60
- 4** = 010 005 8051 -or- 61
- 5** = 011 005 1017 L or R
- 6** = 011 005 1000 L & R (SET)
- 7** = 010 006 1000
- 8** = 010 006 8050
- 9** = 010 009 0001
- 10** = 011 000 1580
- 11** = 010 007 8050 or 011 007 8580 & 011 007 8589
- 12** = 010 009 3600
- 13** = 010 006 9100
- 14** = 010 007 1000
- 22** = 010 005 8055 -or- 65
- 23** = 010 007 1001
- 27** = 011 005 8000
- 28** = 011 163 0000

CLOSED CASSETTE CONNECTED FOR TUBE 50 & 60mm

System C: Connecting without side guide profile

System D: Connecting with side guide profile (drakening)



- 1 = 011 005 1010 L or R
- 2 = 341 660 0014-16-116
- 3 = 010 005 8050 -or- 60
- 4 = 010 005 8051
- 5 = 011 005 1017 L or R
- 6 = 011 005 1000 L & R (SET)
- 7 = 010 006 1000
- 8 = 010 006 8050
- 9 = 010 009 0001
- 10 = 011 009 8050
- 11 = 010 007 8050 or 011 007 8580 & 011 007 8589

- 12 = 010 009 3600
- 13 = 010 006 9100
- 14 = 010 007 1000
- 17 = 010 005 8052
- 19 = 010 005 8053
- 20 = 011 005 1021
- 21 = 011 005 1001
- 22 = 010 005 8055 -or- 65
- 23 = 010 007 1001
- 24 = 010 005 8064
- 25 = 010 005 8062
- 26 = 010 005 8061
- 27 = 011 005 8000
- 28 = 011 163 0000

SIDE WIRE GUIDING POSSIBLE FOR ALL BRACKETS ATLANTIS SERIE

**REMOVE THESE SCREWS
AND DRILL HOLES 4mm in PLASTIC**

FIT WITH DELIVERED SCREWS

**COMPLETE SET WIRE GUIDING L&R
010 009 0022**

